

PERMIT	
TENDER	
CONSTRUCTION	

**GENERAL NOTES**

- THIS DRAWING IS PROVIDED FOR INFORMATION AND DESIGN PURPOSE ONLY.
- IT IS NOT TO BE USED FOR CONSTRUCTION UNLESS NOTED AND APPROVED.
- THE DRAWING AND DESIGN ARE THE PROPERTY OF BBS CONSTRUCTION (ONTARIO) LTD. AND MAY NOT BE USED OR REPRODUCED WITHOUT OUR EXPLICIT APPROVAL.

REVISION	
NO.	DATE
1	2024-04-26
	ISSUED FOR INTERNAL REVIEW

REVISION	
1	2024-04-26
	ISSUED FOR INTERNAL REVIEW

**BBS**  
BUILDING A REPUTATION ON EXCELLENCE

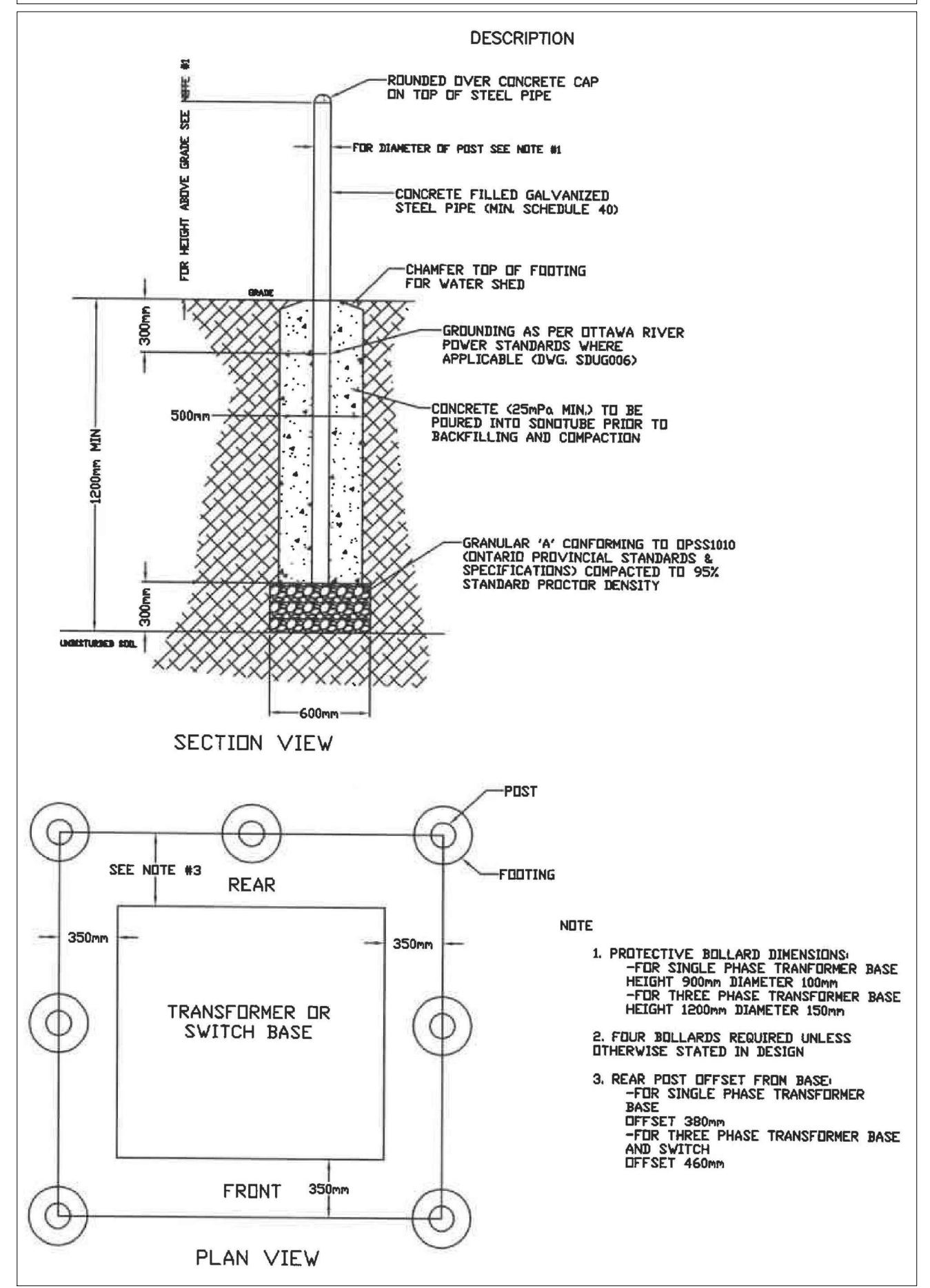
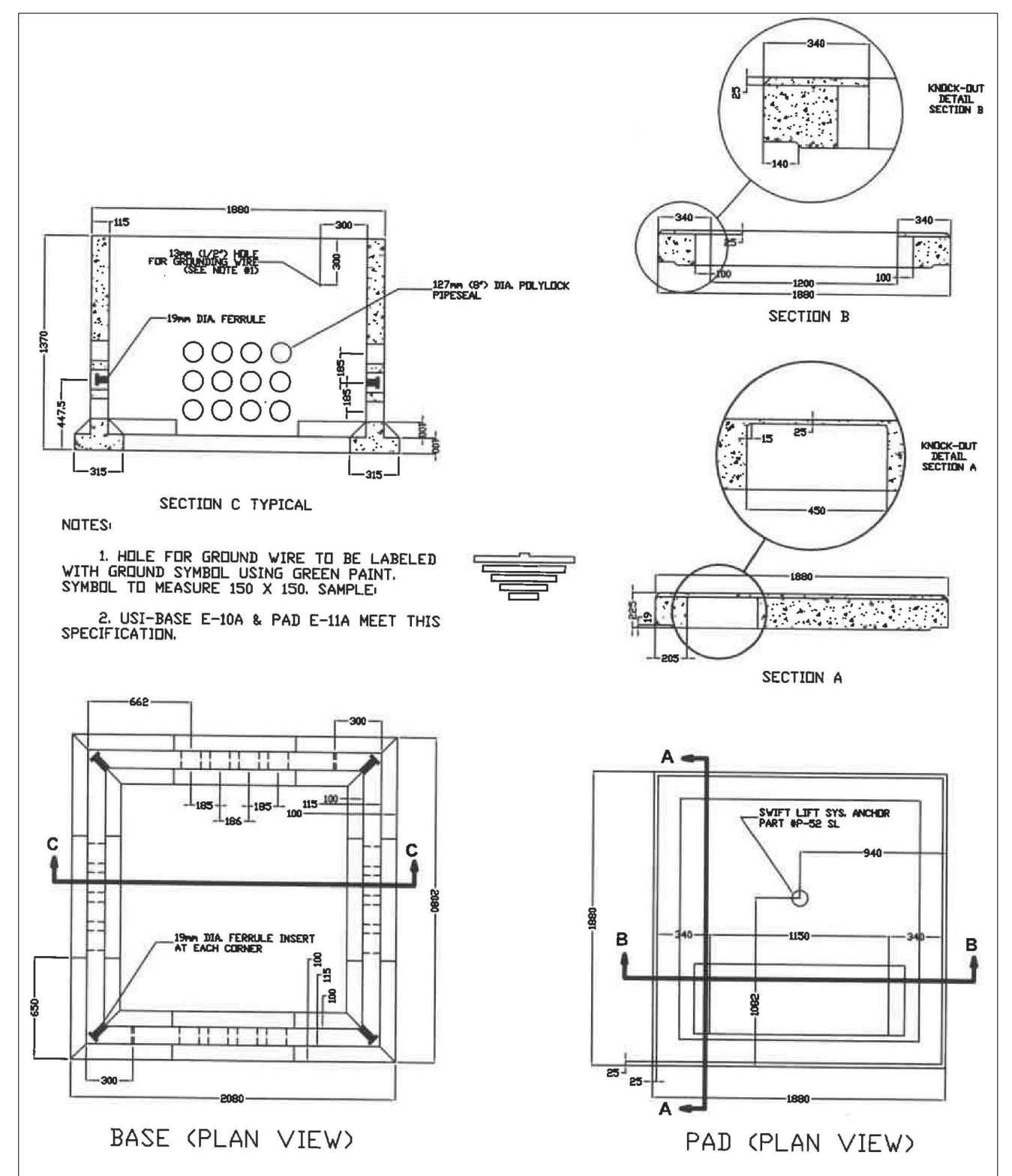
BBS CONSTRUCTION (ONTARIO) LTD.  
233 RUSS BRADLEY ROAD,  
CARP, ON K1L 1L0, CANADA  
TEL: (613) 226-8830 FAX: (613) 226 7709

OWNER:  
**Greg Clarke**

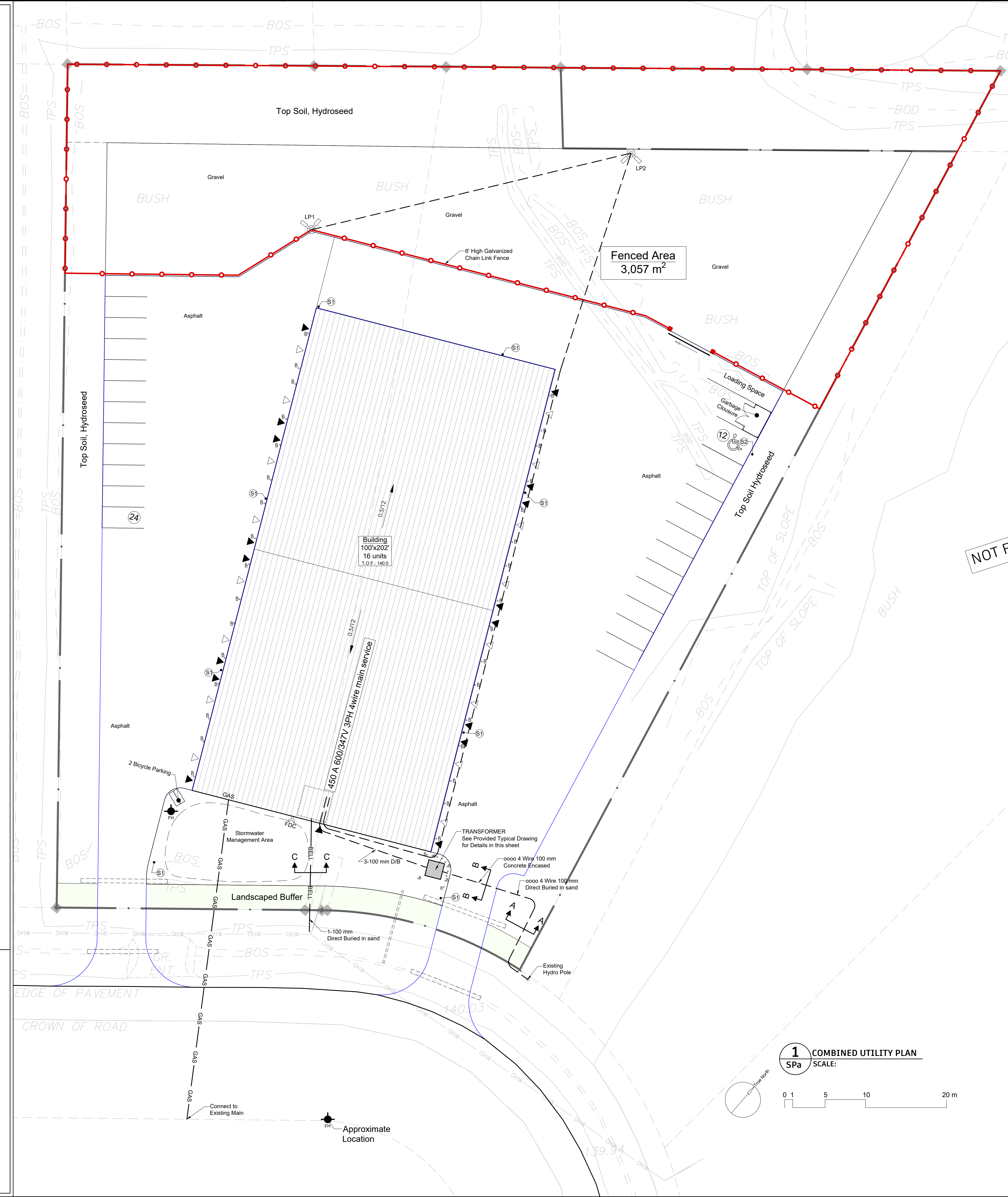
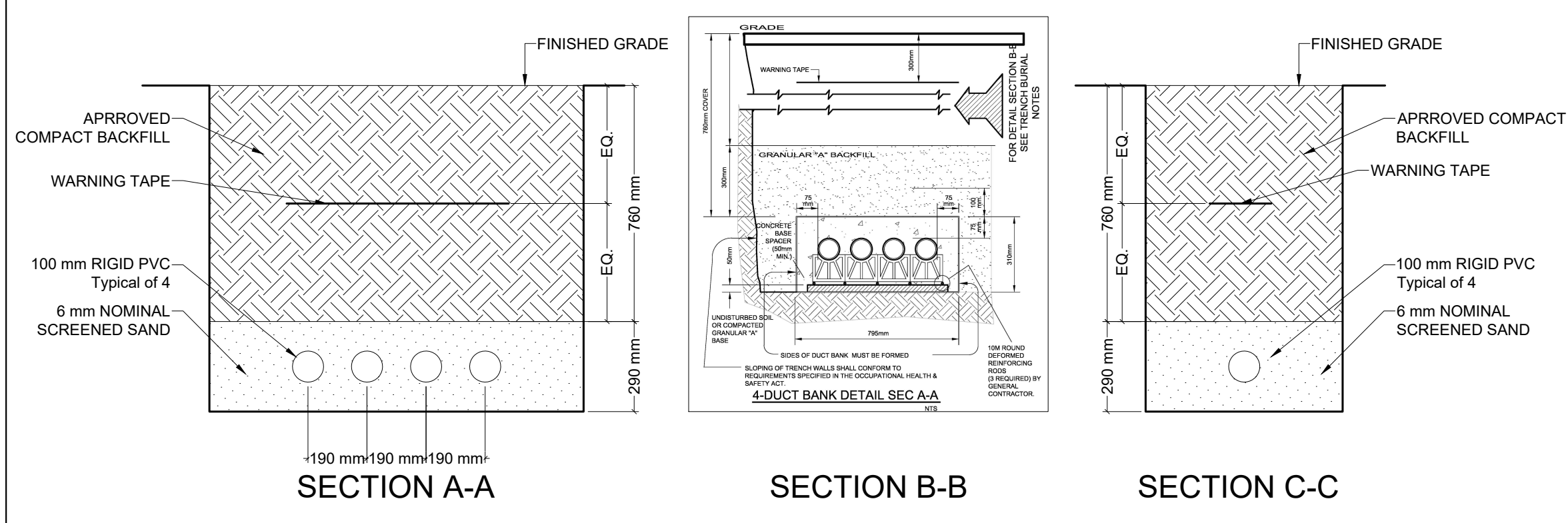
PROJECT NO: **589-24**  
PROJECT NAME: **Almonte Storage Bldgs**

DRAWING TITLE:  
**Combined Utility Plan**

SCALE: **1/250** DRAWING NO: **SPa**  
PRINT SIZE: 36x24 (ARCH D)  
DRAWN BY: **MA**  
DATE: **2024-04-26**



**TYPICAL TRANSFORMER PAD**



**NOT FOR CONSTRUCTION**

